

**This electronic collection of documents is provided  
for the convenience of the user  
and is Not a Certified Document –**

**The documents contained herein were originally issued  
and sealed by the individuals whose names and license  
numbers appear on each page, on the dates appearing  
with their signature on that page.**

**This file or an individual page  
shall not be considered a certified document.**

See Sheet 1A For Index of Sheets

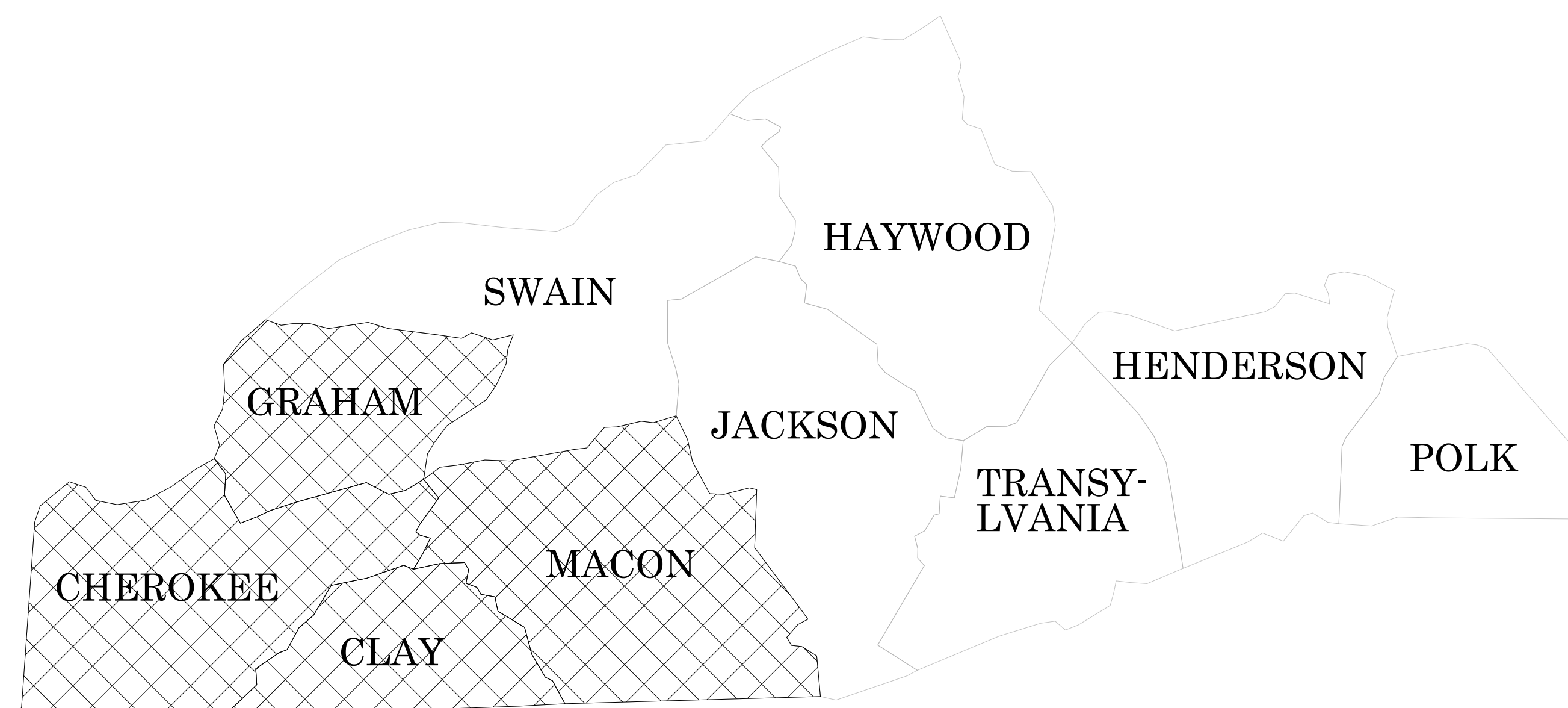
# STATE OF NORTH CAROLINA DIVISION OF HIGHWAYS

## DIVISION 14

LOCATION: *VARIOUS LOCATIONS ACROSS  
DISTRICT 3 IN DIVISION 14*

TYPE OF WORK: *IDIQ ON-CALL CONCRETE INSTALLATION,  
REPAIR & MAINTENANCE SERVICES*

|                 |                             |             |              |
|-----------------|-----------------------------|-------------|--------------|
| STATE           | STATE PROJECT REFERENCE NO. | SHEET NO.   | TOTAL SHEETS |
| N.C.            | DN12107158                  | 1           | 3            |
| STATE PROJ. NO. | F. A. PROJ. NO.             | DESCRIPTION |              |
| 14.102011       |                             |             |              |
| 14.202011       |                             |             |              |
| 14.102211       |                             |             |              |
| 14.202211       |                             |             |              |
| 14.103811       |                             |             |              |
| 14.203811       |                             |             |              |
| 14.105611       |                             |             |              |
| 14.205611       |                             |             |              |



**CONTRACT: DN12107158**

Prepared in the Office of:  
**DIVISION OF HIGHWAYS**  
253 WEBSTER RD., SYLVA NC, 28779

---

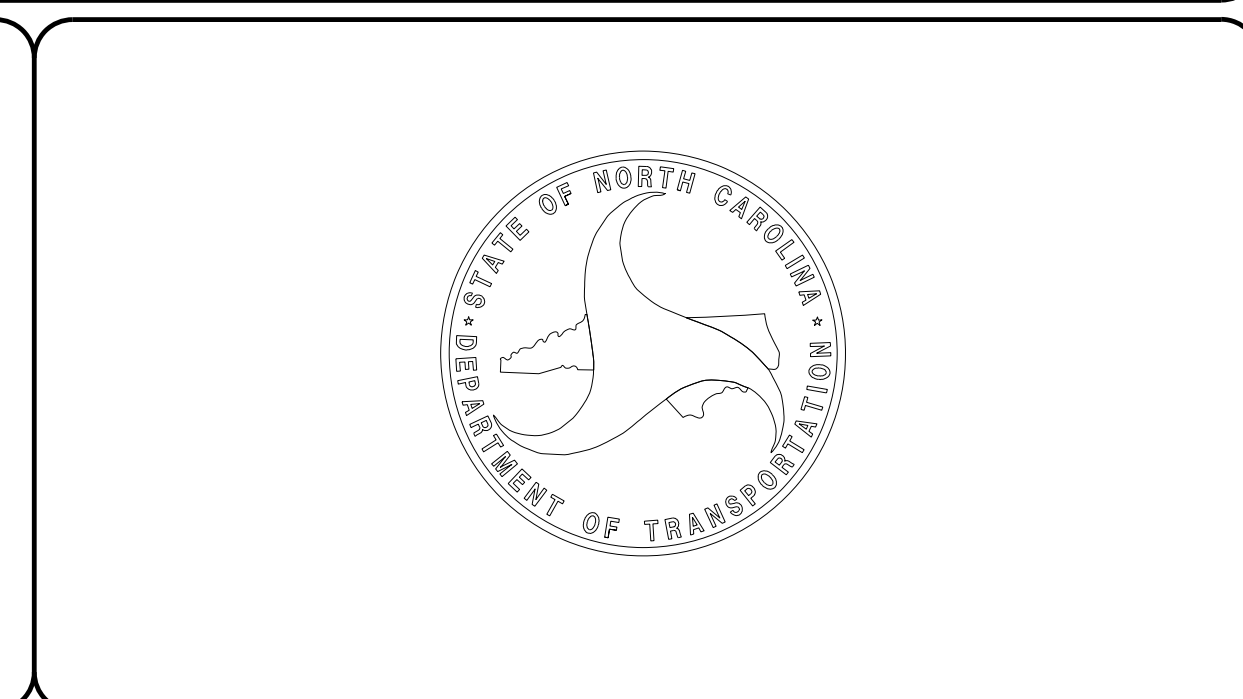
2024 STANDARD SPECIFICATIONS

RIGHT OF WAY DATE: N/A

LETTING DATE: JANUARY 11, 2024

ROADWAY DESIGN ENGINEER

SIGNATURE: \_\_\_\_\_ P.E.



## 2024 ROADWAY ENGLISH STANDARD DRAWINGS

The following Roadway Standards as appear in "Roadway Standard Drawings" Highway Design Branch - N. C. Department of Transportation - Raleigh, N. C., Dated January 16, 2024 are applicable to this project and by reference hereby are considered a part of these plans:

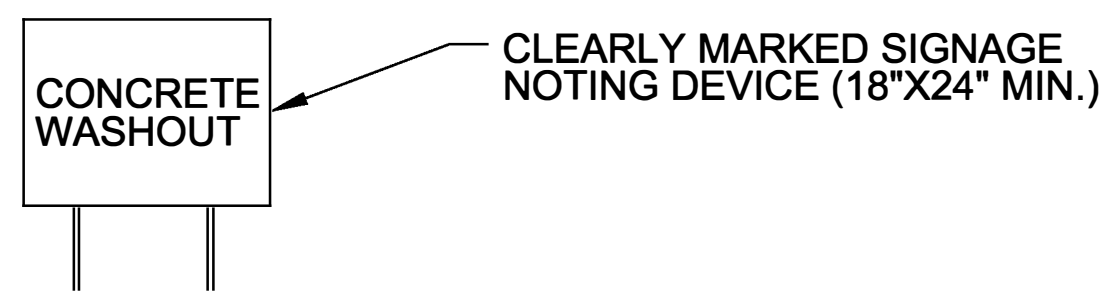
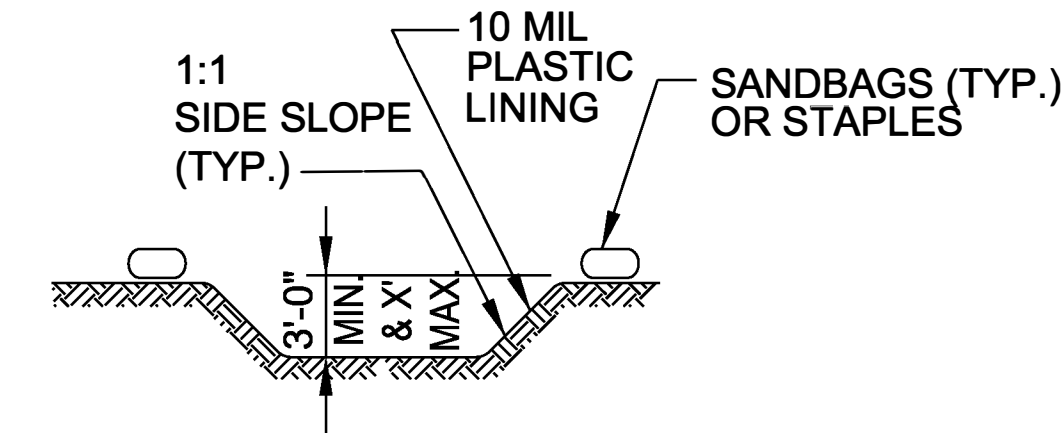
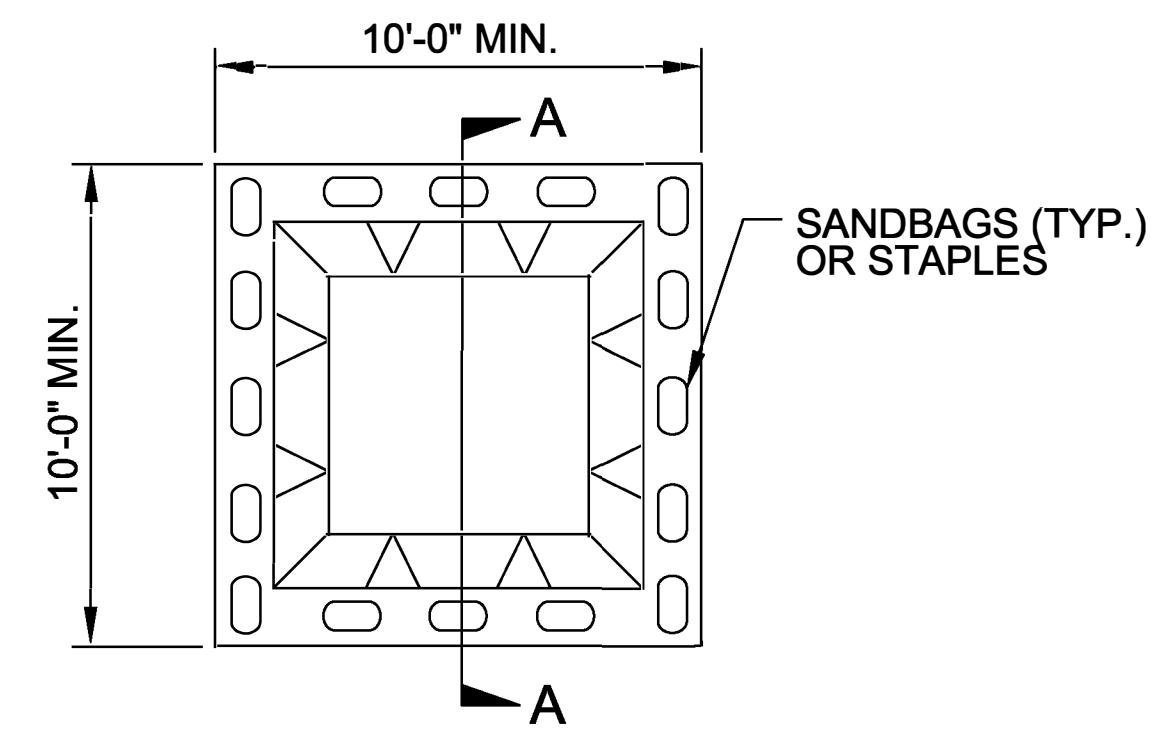
| STD.NO.                                 | TITLE   |
|---|---|
| DIVISION 8 - INCIDENTALS                |   |
| 846.01                                  | Concrete Curb, Gutter and Curb & Gutter                             |
| 848.01                                  | Concrete Sidewalk   |
| 848.02                                  | Driveway Turnout - Radius Type                                      |
| 848.03                                  | Driveway Turnout - Drop Curb Type                                   |
| 848.04                                  | Street Turnout  |
| 848.05                                  | Curb Ramp - Proposed Curb & Gutter                                  |
| 848.06                                  | Curb Ramp - Existing Curb & Gutter                                  |
| 850.01                                  | Concrete Paved Ditches  |
| 852.01                                  | Concrete Islands  |
| 852.02                                  | Concrete Mountable Median - for Use with Rigid or Flexible Pavement |
| 852.10                                  | Median Construction - with Curb and Gutter                          |
| DIVISION 11 - WORK ZONE TRAFFIC CONTROL |   |
| 1101.01                                 | WORK ZONE WARNING SIGNS   |
| 1101.02                                 | TEMPORARY LANE CLOSURES   |
| 1101.03                                 | TEMPORARY ROAD CLOSURES   |
| 1101.04                                 | TEMPORARY SHOULDER CLOSURES   |
| 1101.05                                 | WORK ZONE VEHICLE ACCESSES  |
| 1101.06                                 | WARNING SIGNS FOR BLASTING ZONES                                    |
| 1101.11                                 | TRAFFIC CONTROL DESIGN TABLES                                       |
| 1110.01                                 | STATIONARY WORK ZONE SIGNS  |
| 1110.02                                 | PORTABLE WORK ZONE SIGNS  |
| 1115.01                                 | FLASHING ARROW BOARDS   |
| 1130.01                                 | DRUMS   |
| 1135.01                                 | CONES   |
| 1145.01                                 | BARRICADES  |
| 1150.01                                 | FLAGGING DEVICES  |
| 1160.01                                 | TEMPORARY CRASH CUSHION   |
| 1165.01                                 | TRUCK MOUNTED ATTENUATOR  |
| 1170.01                                 | PORTABLE CONCRETE BARRIER   |
| 1180.01                                 | SKINNY - DRUMS  |

## INDEX OF SHEETS

| SHEET NUMBER | SHEET                                 |
|--------------|---------------------------------------|
| 1            | TITLE SHEET                           |
| 1A           | INDEX OF SHEETS AND STANDARD DRAWINGS |
| 2B-1         | CONCRETE WASHOUT STRUCTURE            |

|                         |                     |
|-------------------------|---------------------|
| PROJECT REFERENCE NO.   | SHEET NO.           |
| DN12107158              | 2B-1                |
| RW SHEET NO.            |                     |
| ROADWAY DESIGN ENGINEER | HYDRAULICS ENGINEER |

## ONSITE CONCRETE WASHOUT STRUCTURE WITH LINER



### SECTION A-A

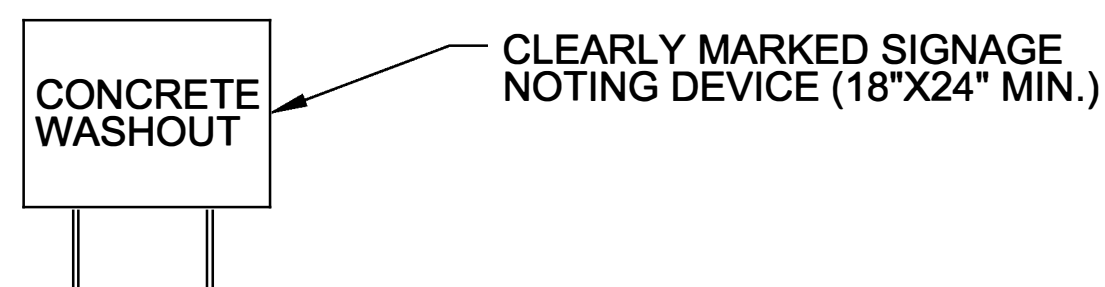
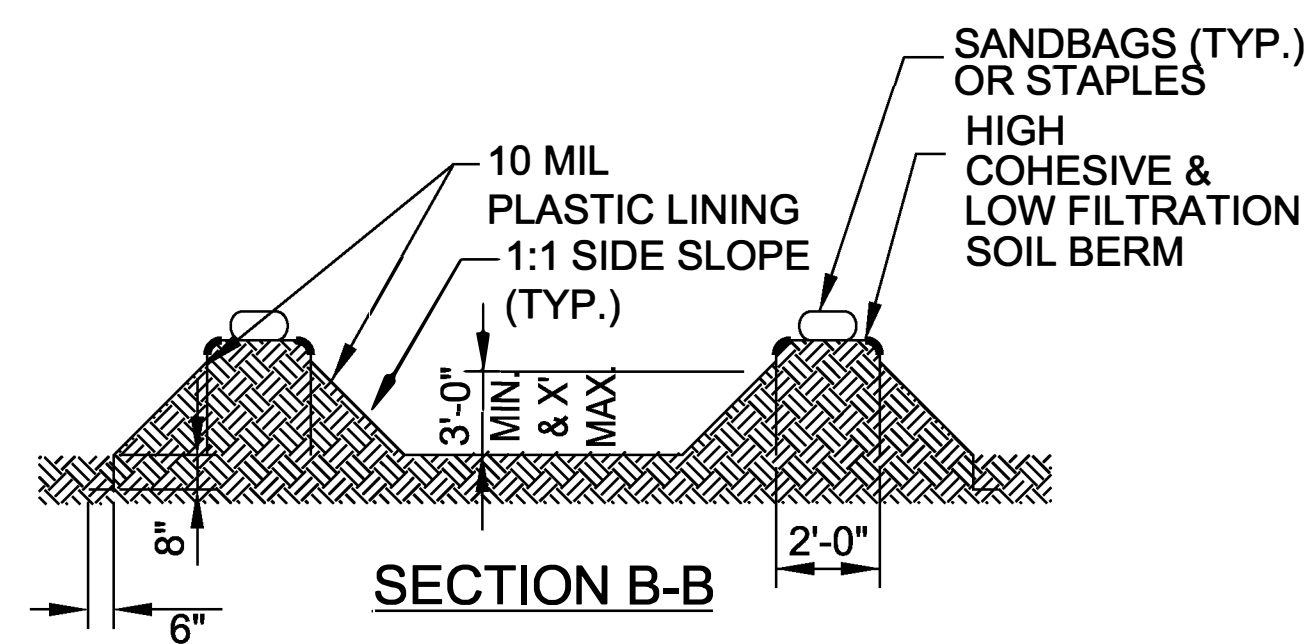
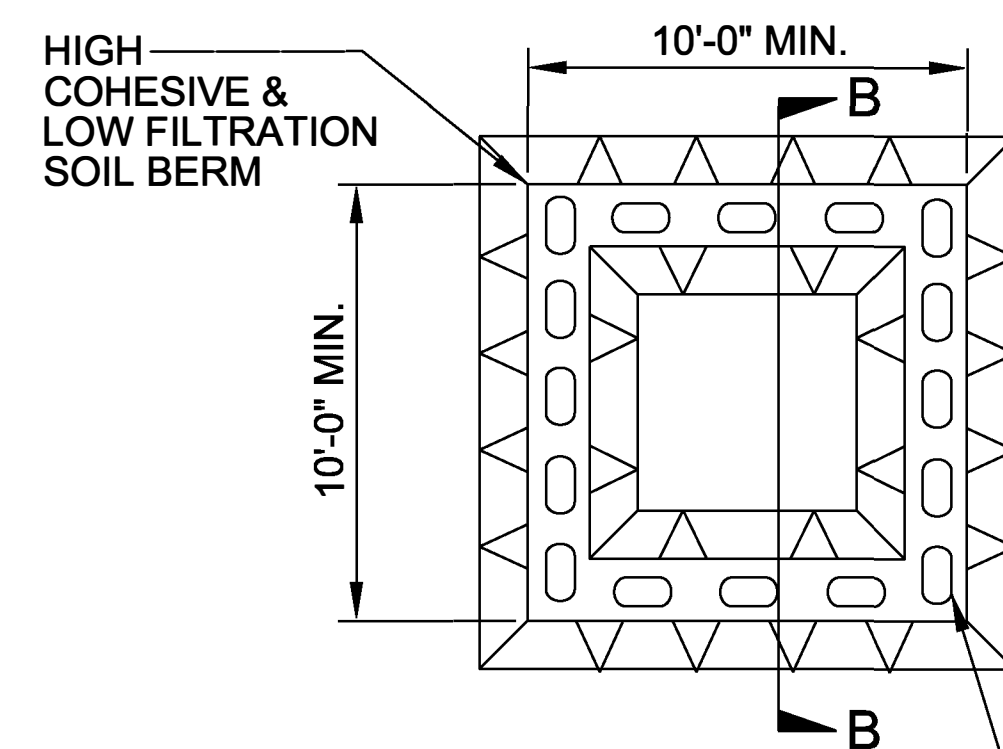
**NOTES:**

1. ACTUAL LOCATION DETERMINED IN FIELD
2. THE CONCRETE WASHOUT STRUCTURES SHALL BE MAINTAINED WHEN THE LIQUID AND/OR SOLID REACHES 75% OF THE STRUCTURES CAPACITY.
3. CONCRETE WASHOUT STRUCTURE NEEDS TO BE CLEARLY MARKED WITH SIGNAGE NOTING DEVICE.

PLAN

## BELOW GRADE WASHOUT STRUCTURE

NOT TO SCALE



**NOTES:**

1. ACTUAL LOCATION DETERMINED IN FIELD
2. THE CONCRETE WASHOUT STRUCTURES SHALL BE MAINTAINED WHEN THE LIQUID AND/OR SOLID REACHES 75% OF THE STRUCTURES CAPACITY TO PROVIDE ADEQUATE HOLDING CAPACITY WITH A MINIMUM 12 INCHES OF FREEBOARD.
3. CONCRETE WASHOUT STRUCTURE NEEDS TO BE CLEARLY MARKED WITH SIGNAGE NOTING DEVICE.

PLAN

## ABOVE GRADE WASHOUT STRUCTURE

NOT TO SCALE